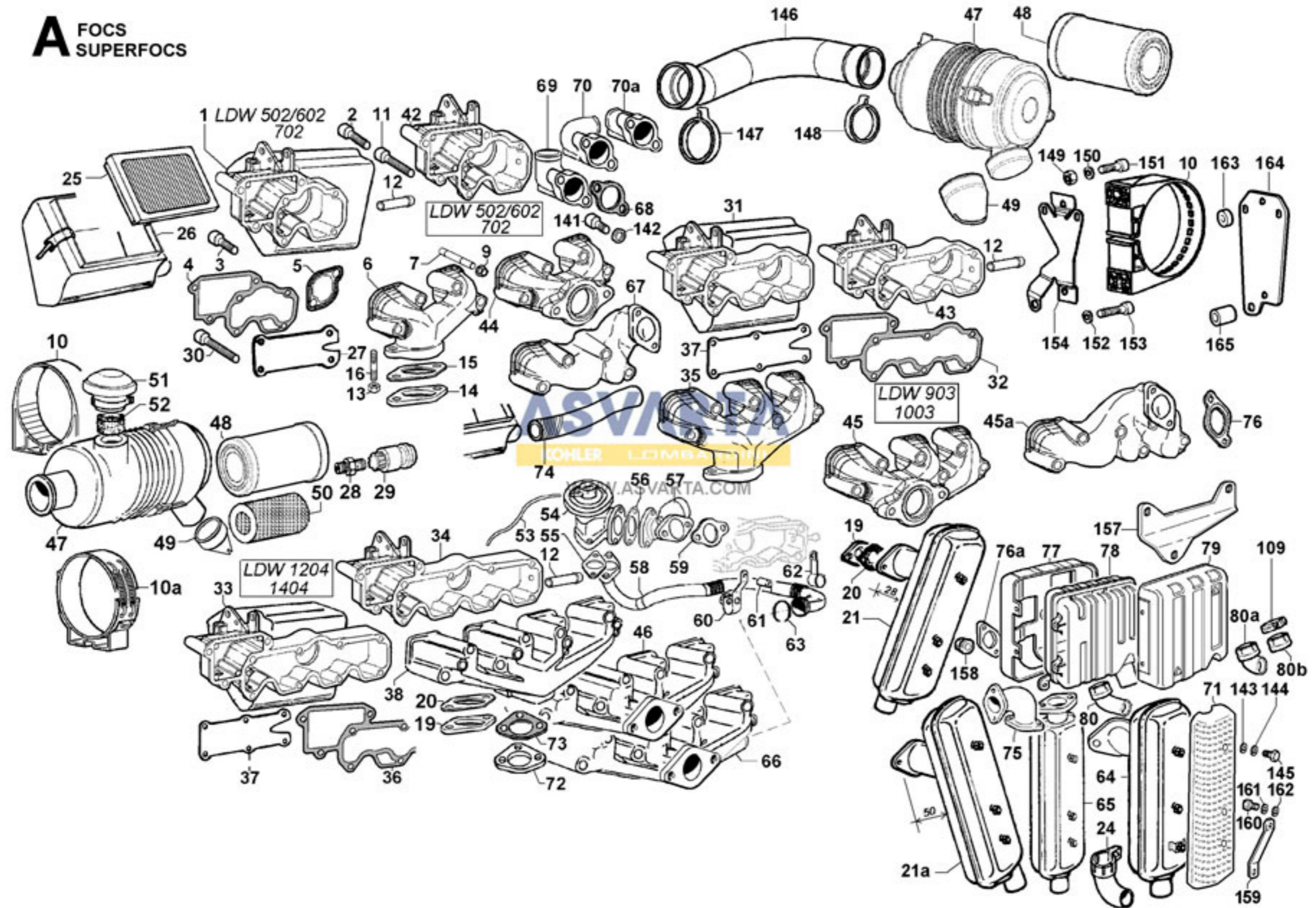
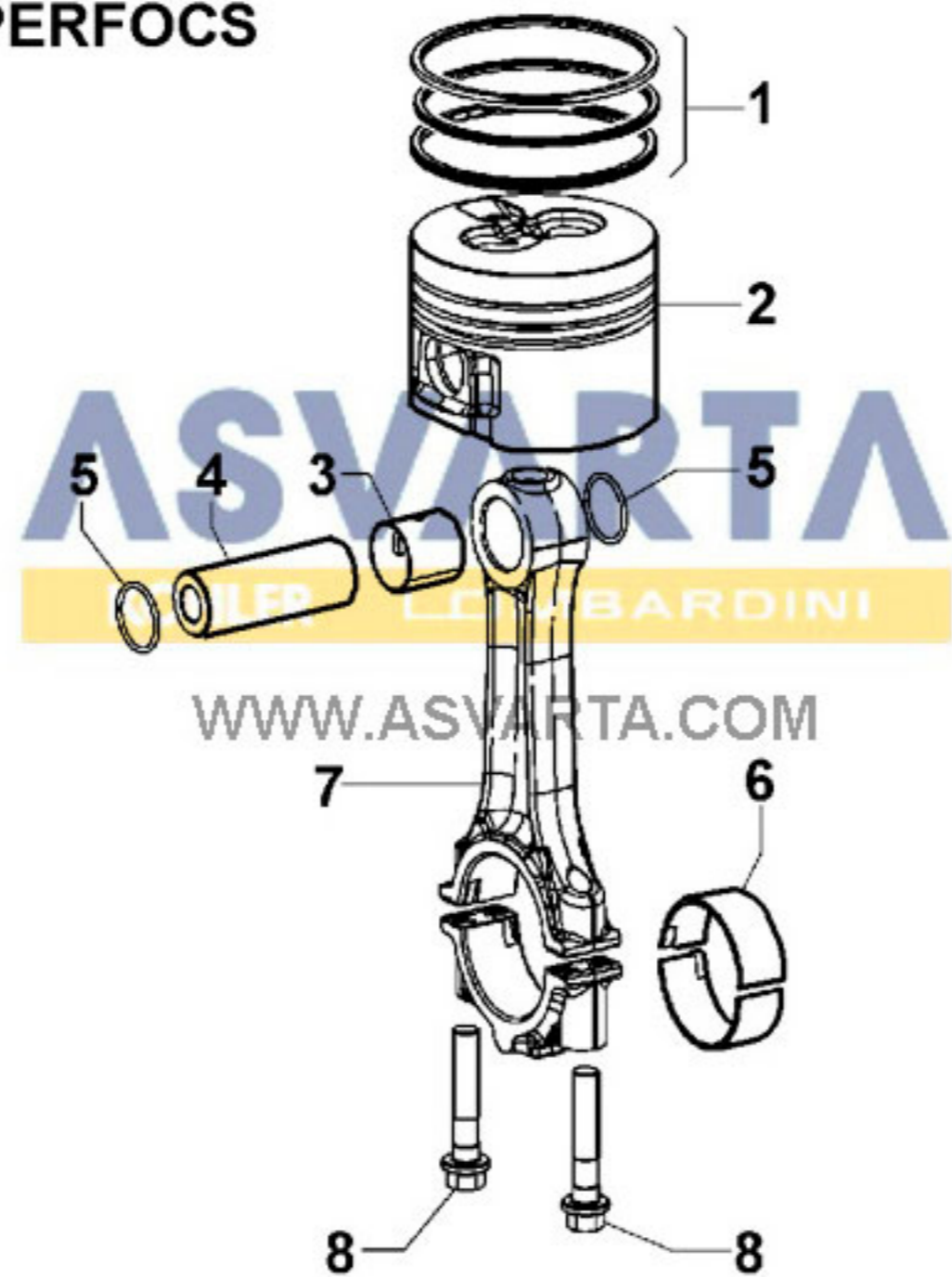


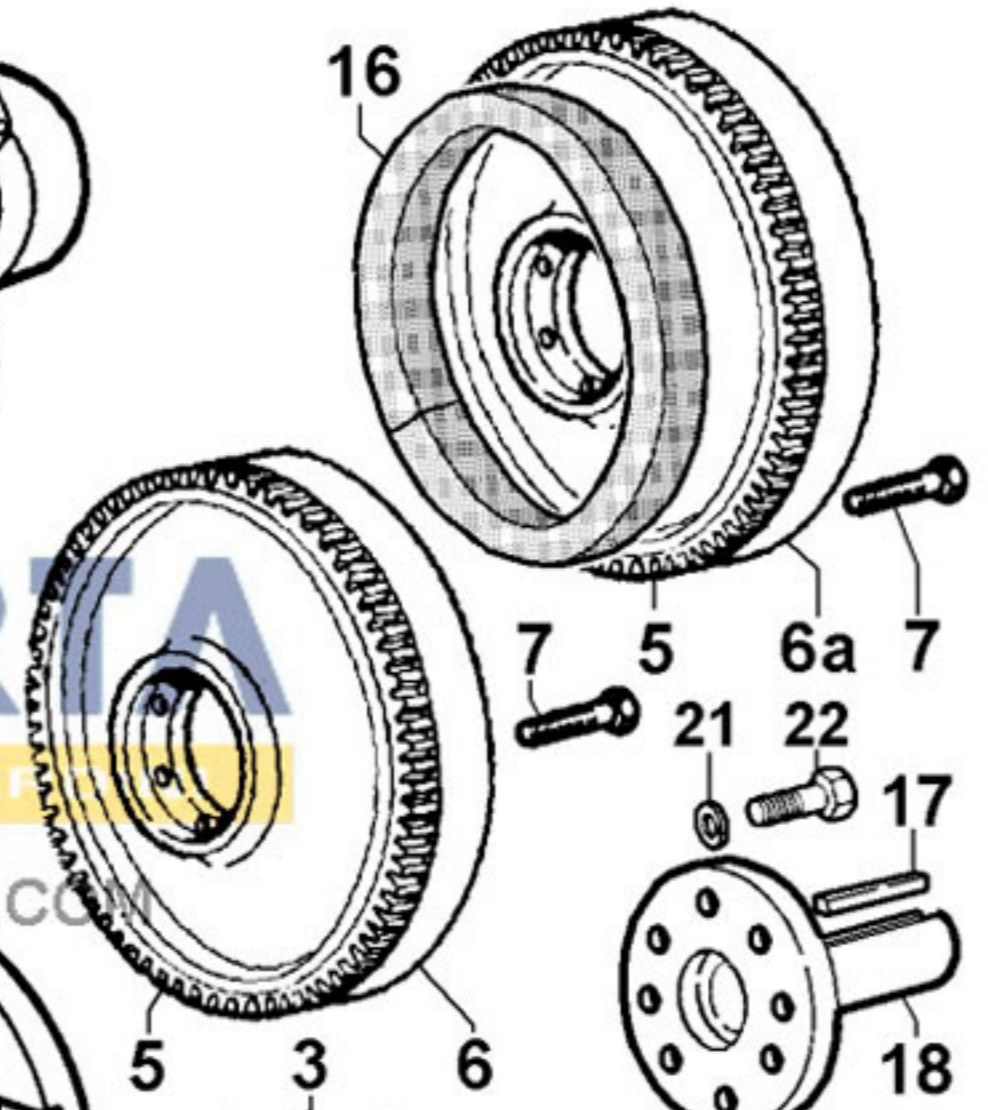
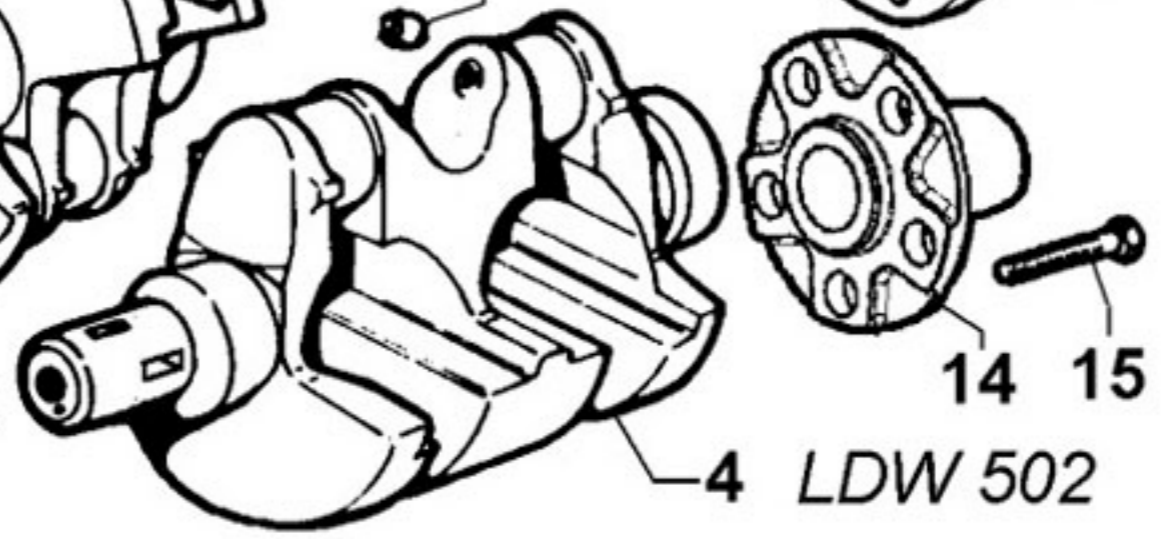
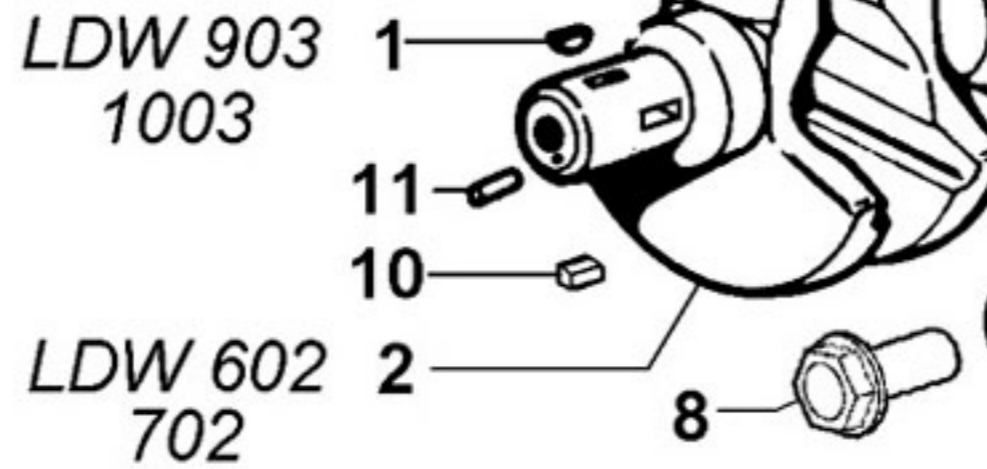
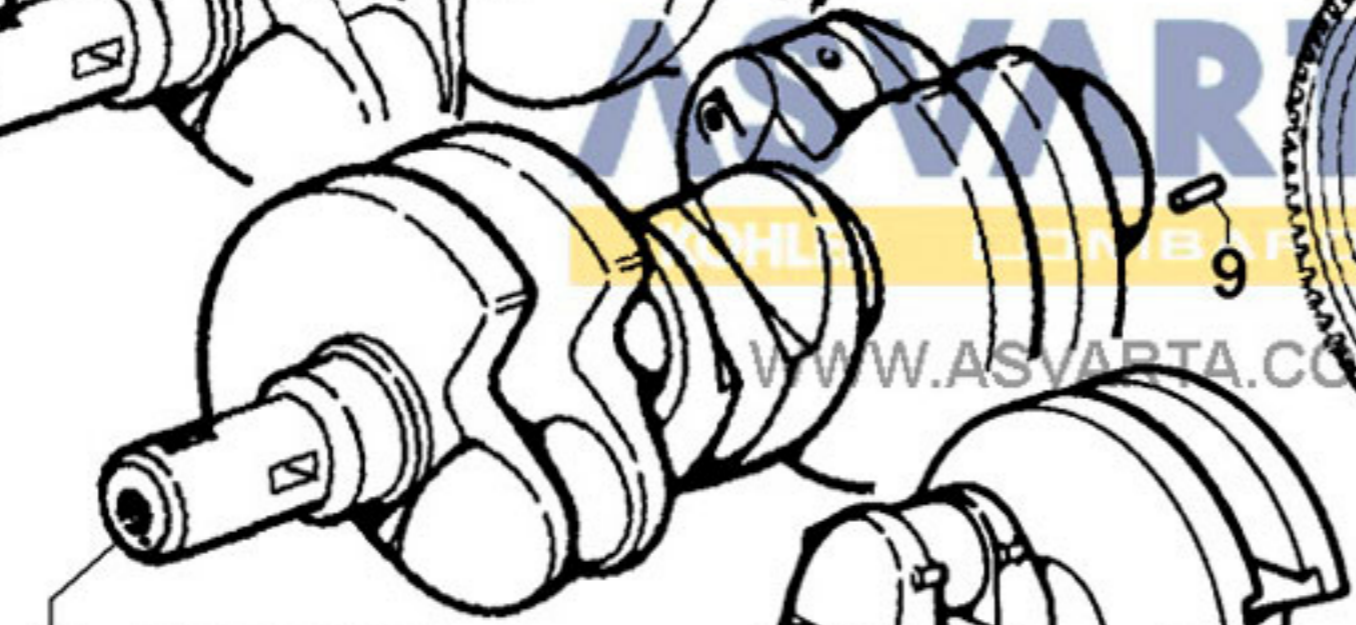
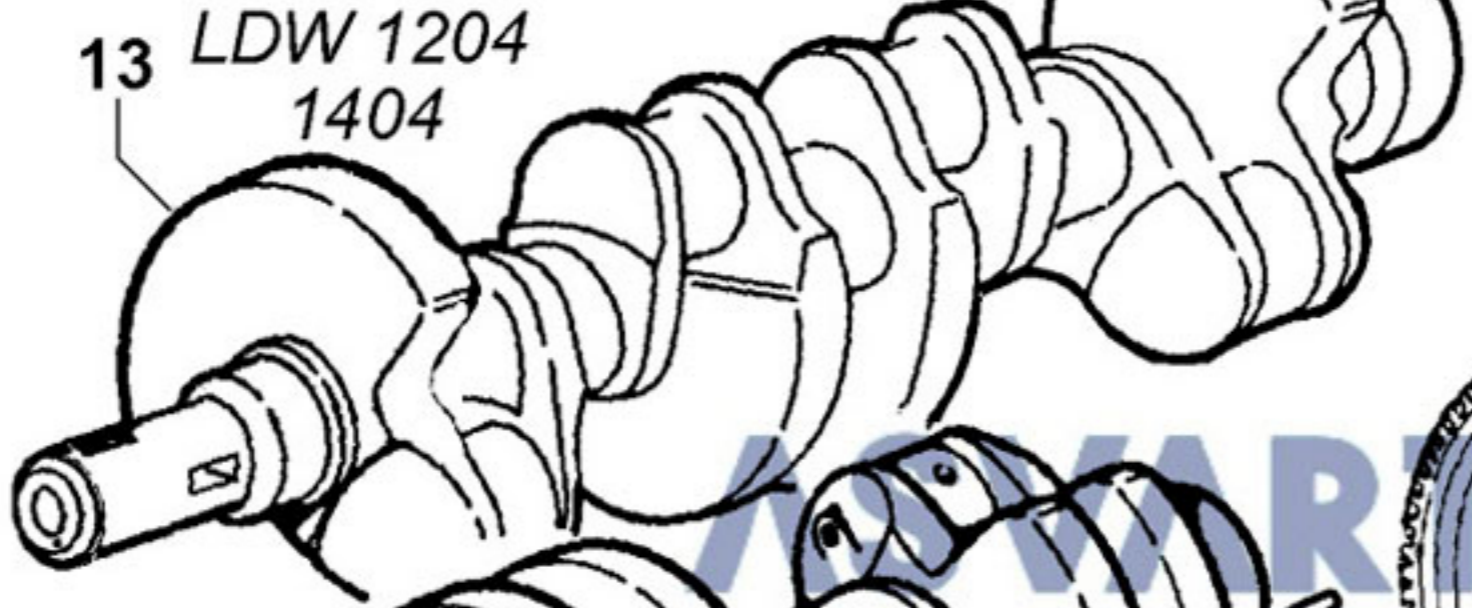
A FOCS
SUPERFOCS



B FOCS SUPERFOCS

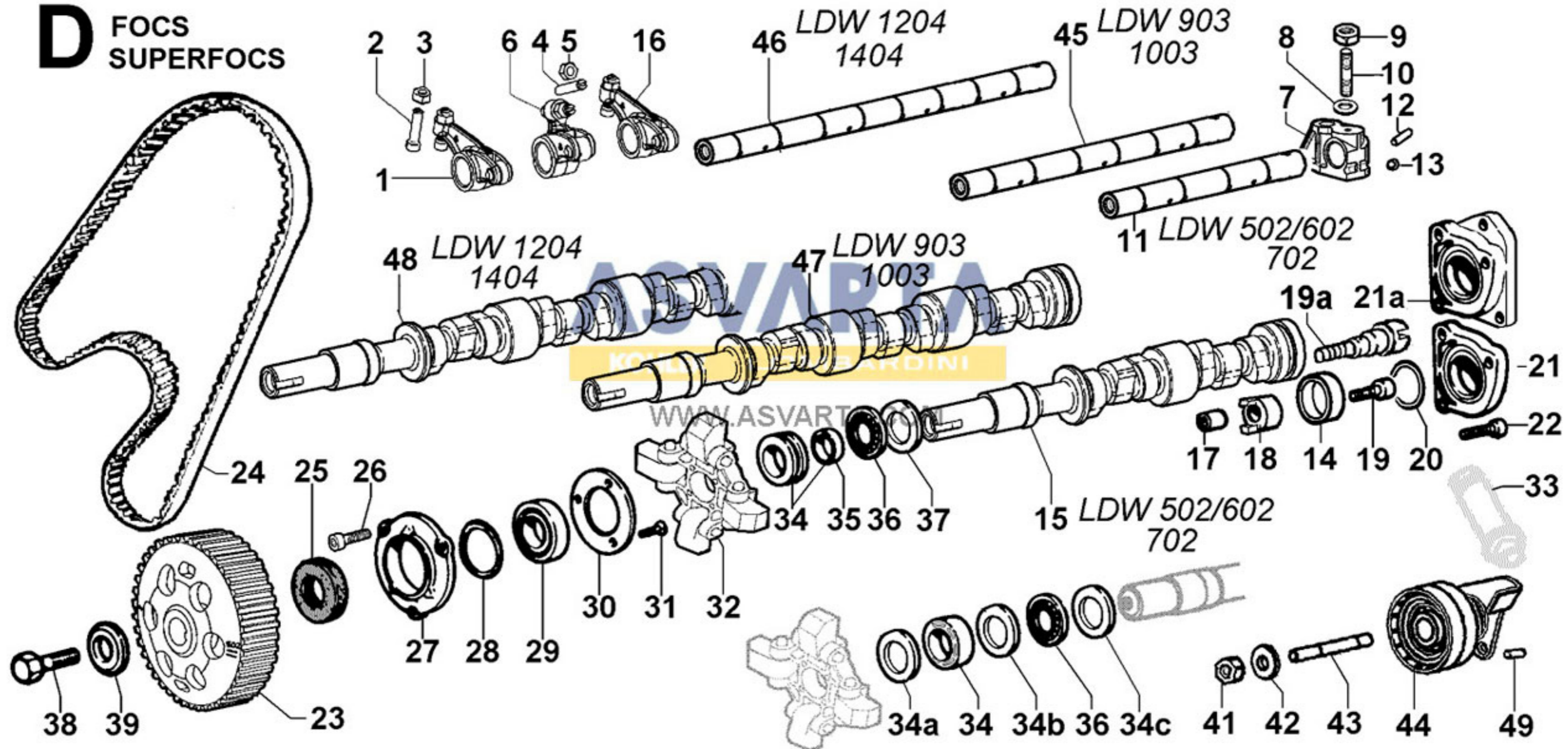


C FOCS
SUPERFOCS

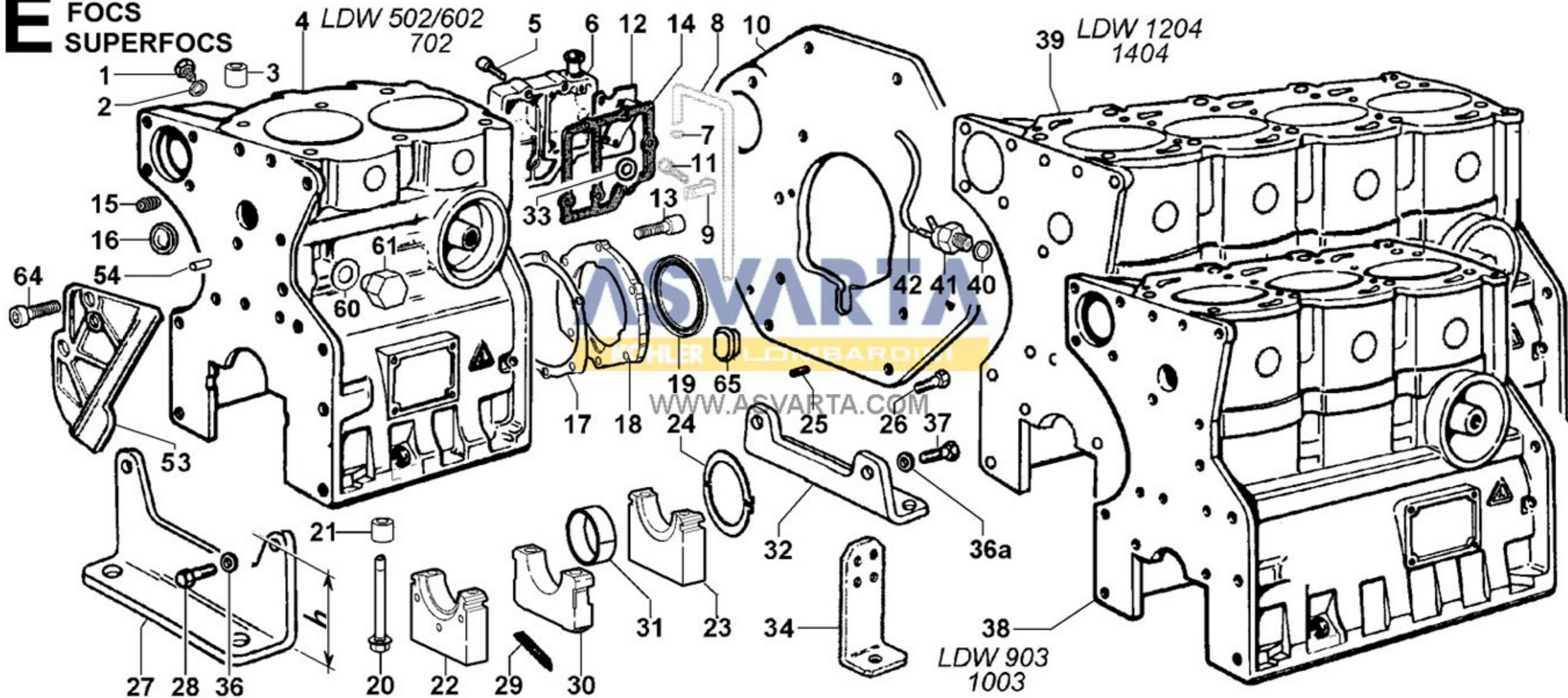


ASVARTA
WWW.ASVARTA.COM

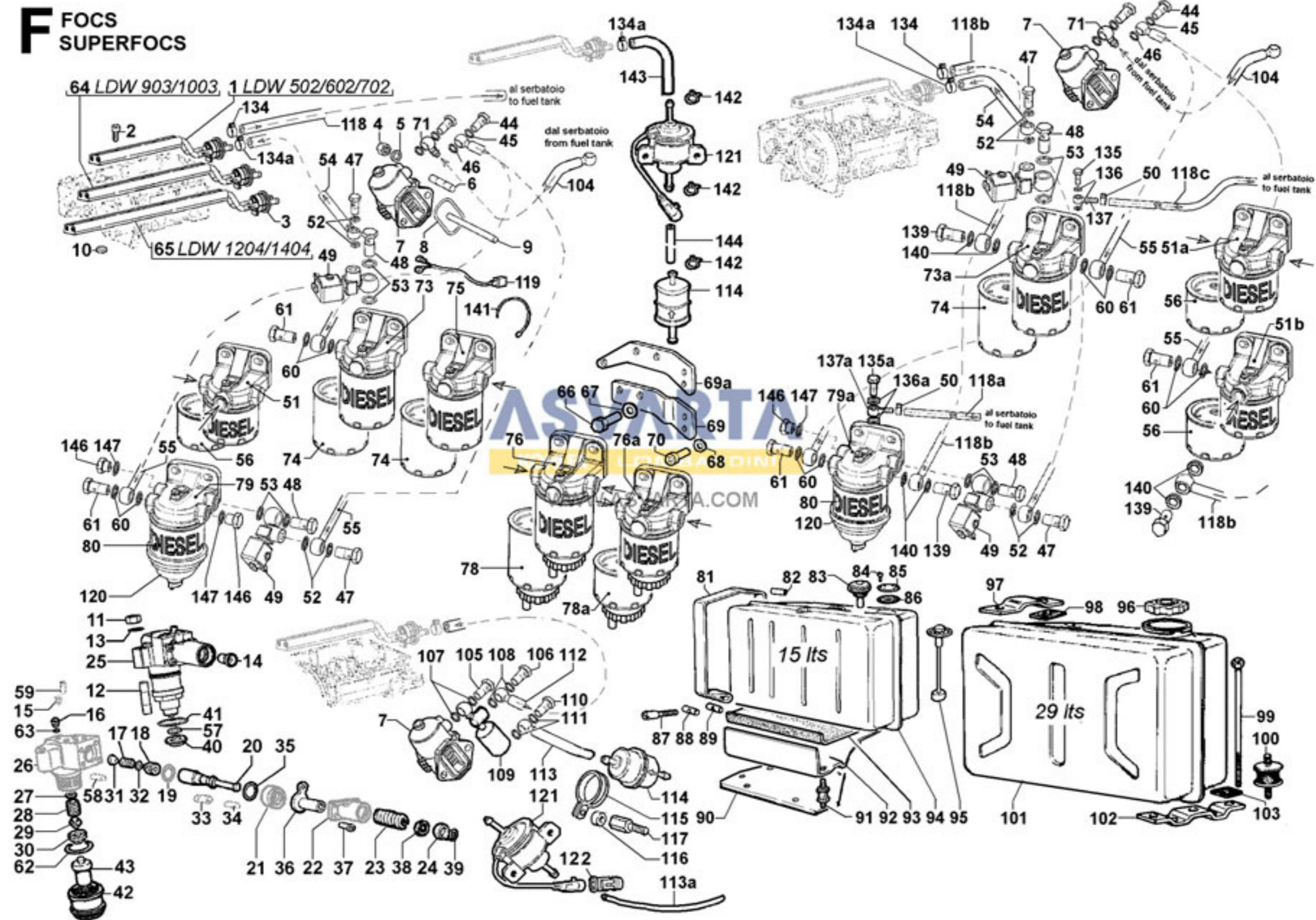
D FOCs SUPERFOCS



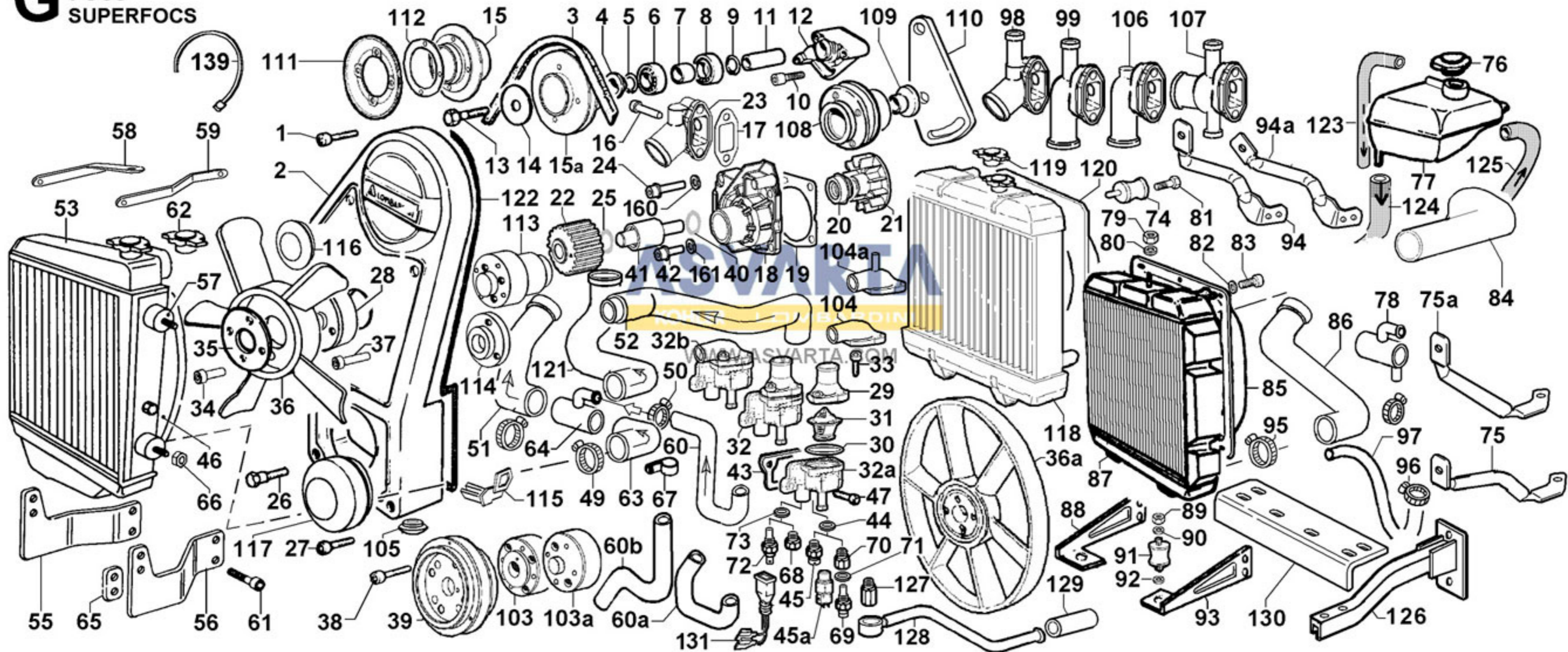
E FOCUS SUPERFOCUS



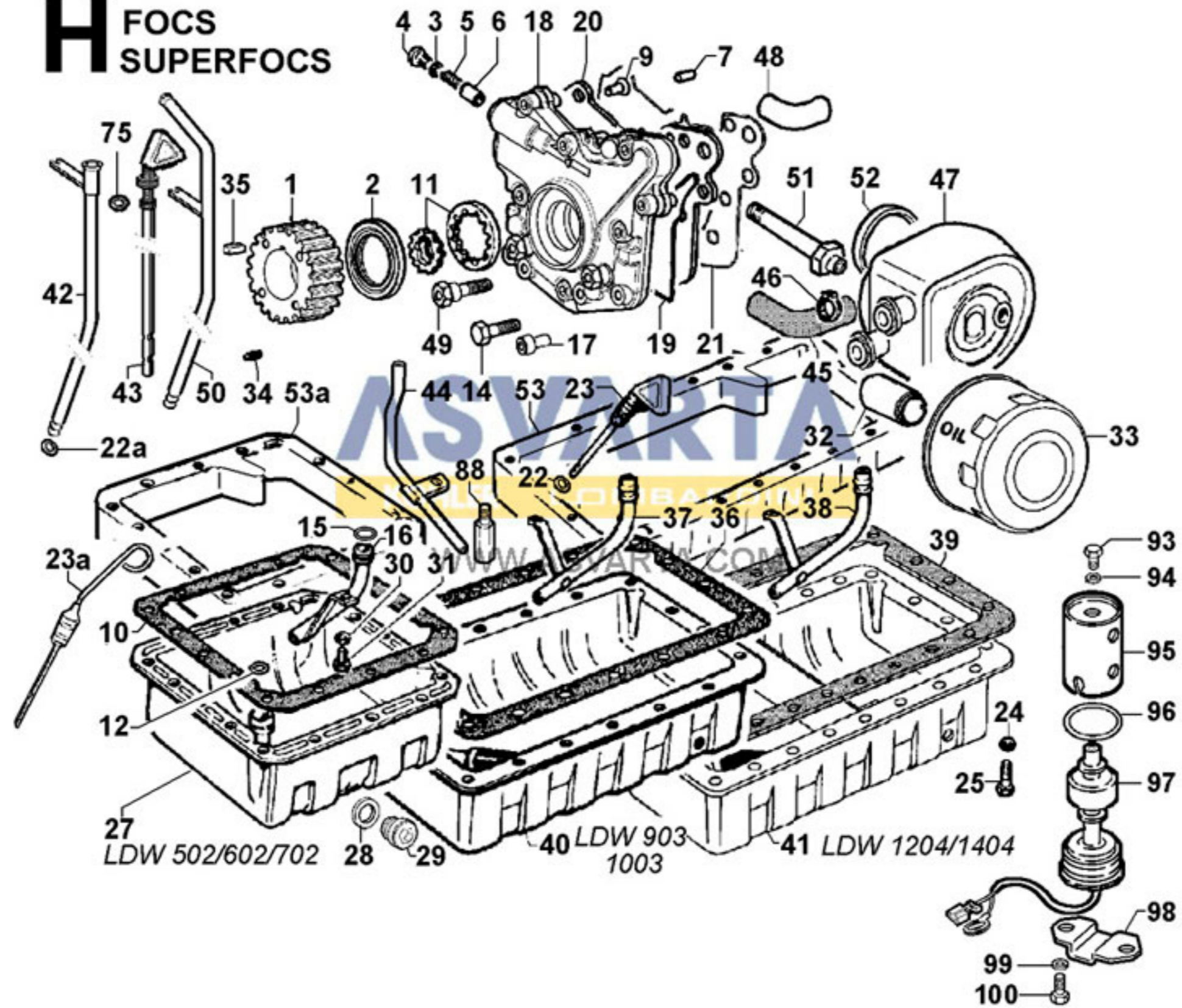
F FOCs SUPERFOCS



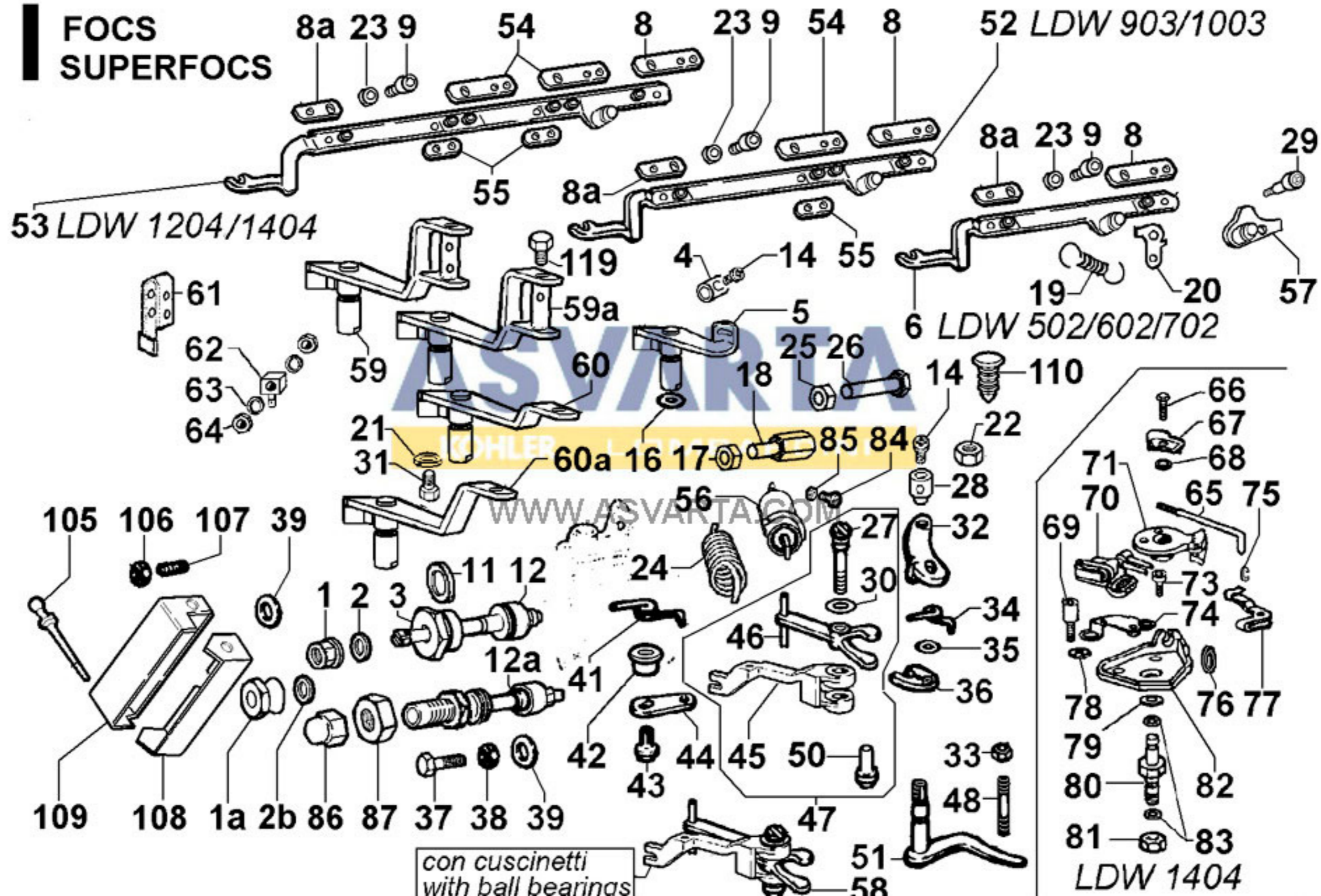
G FOCS
SUPERFOCS



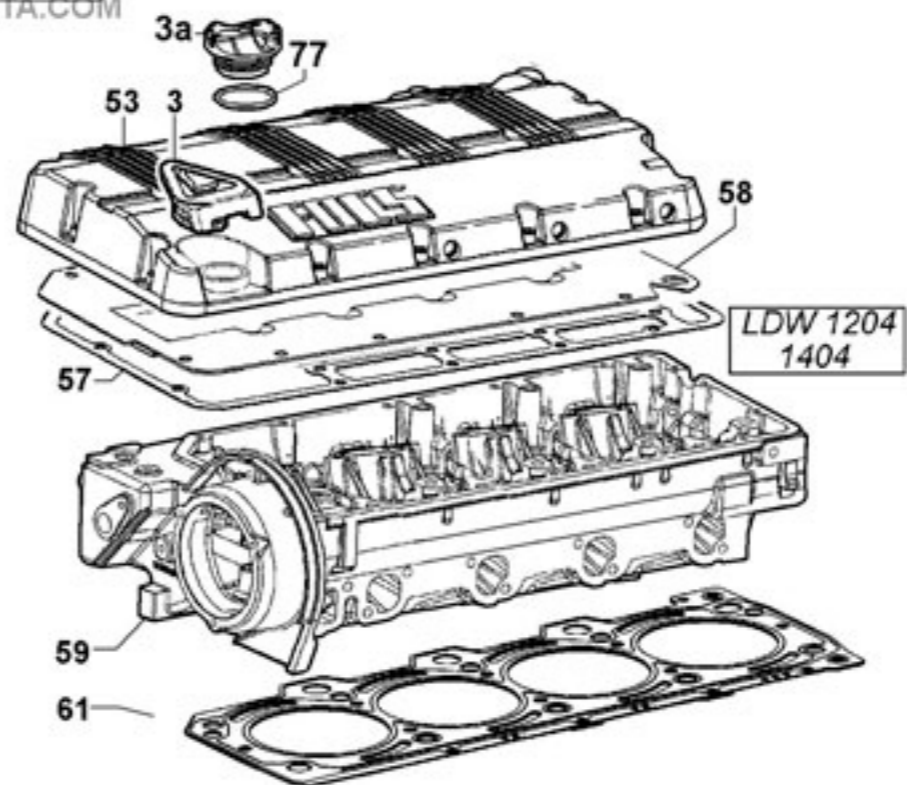
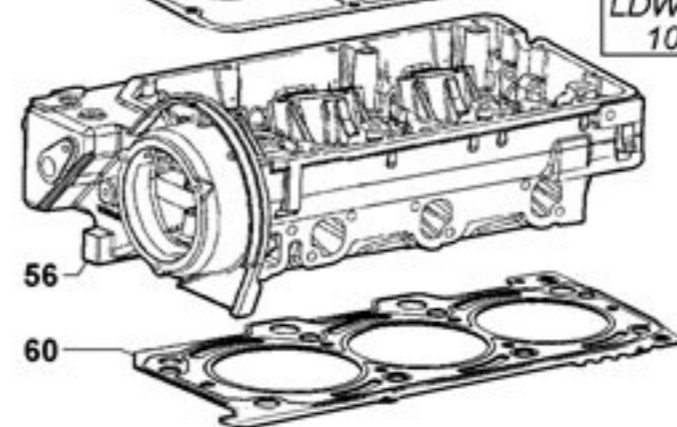
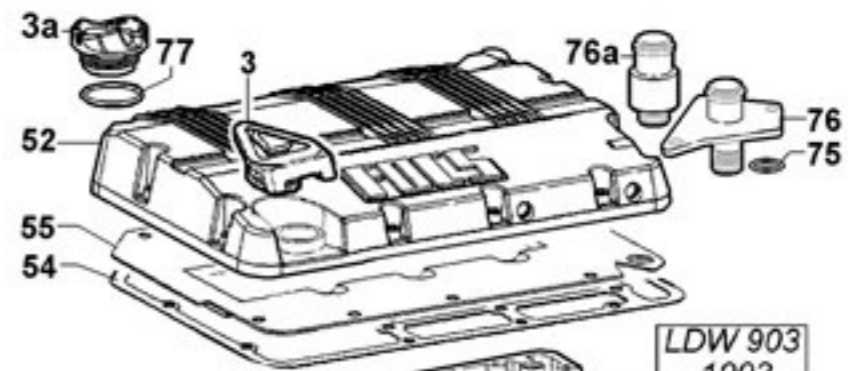
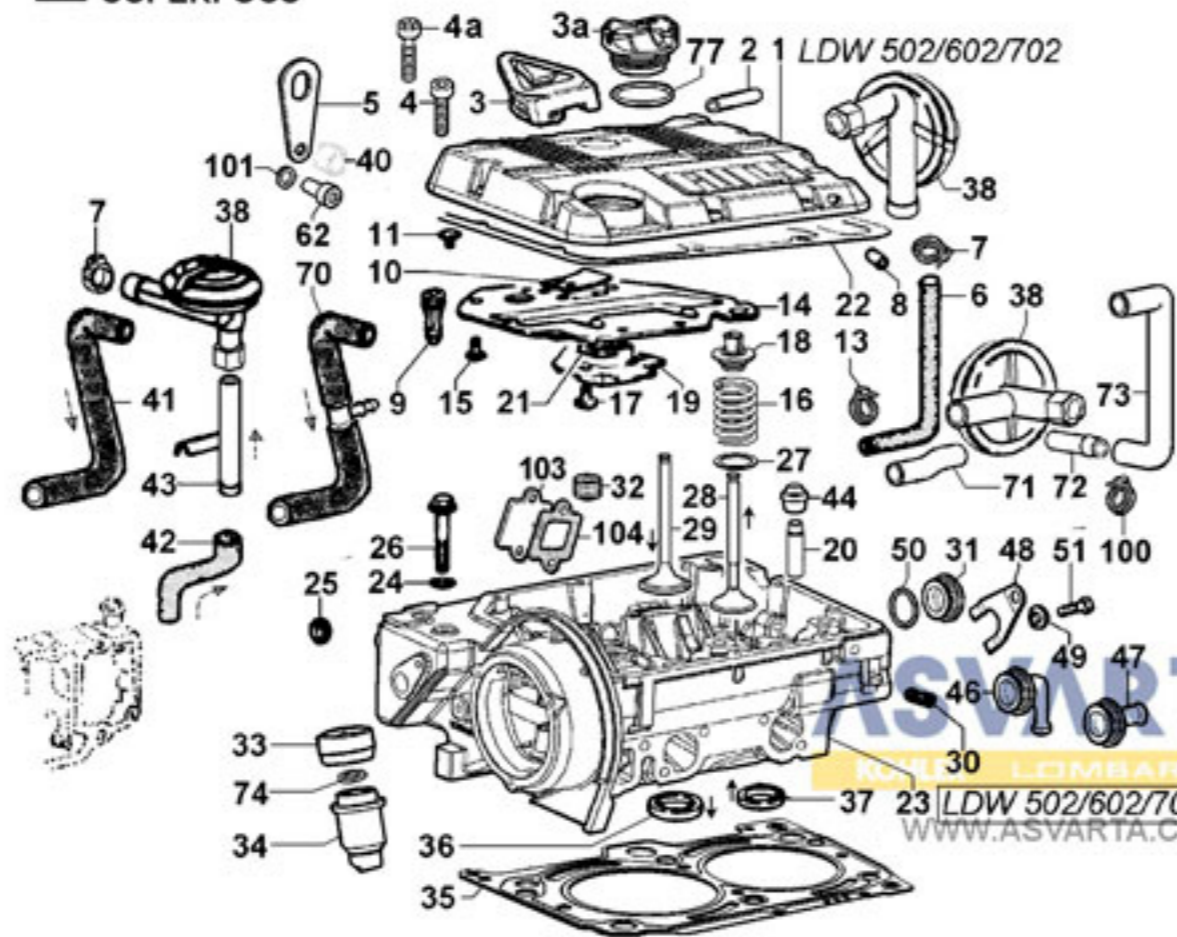
H FOCS SUPERFOCS



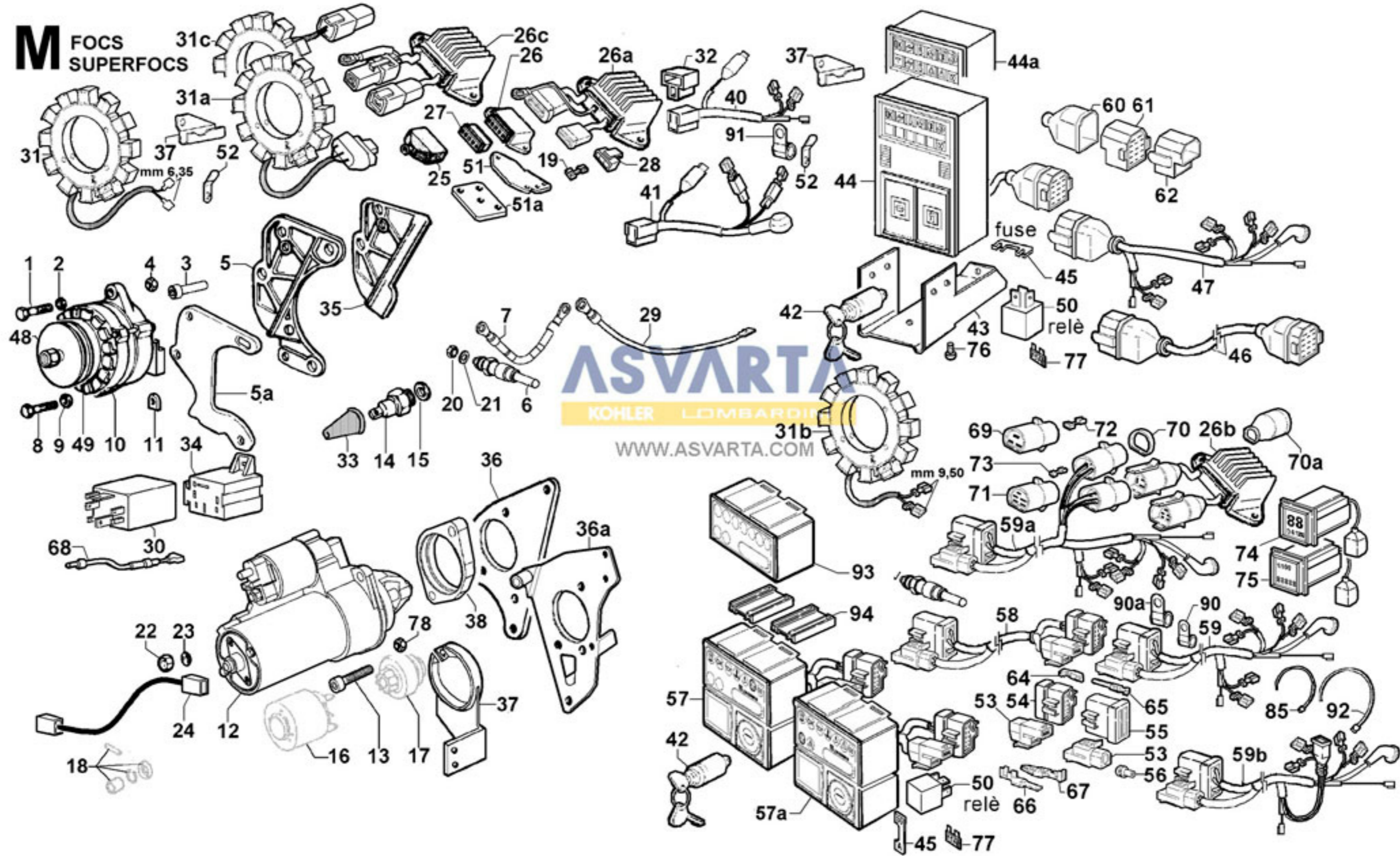
**FOCS
SUPERFOCS**

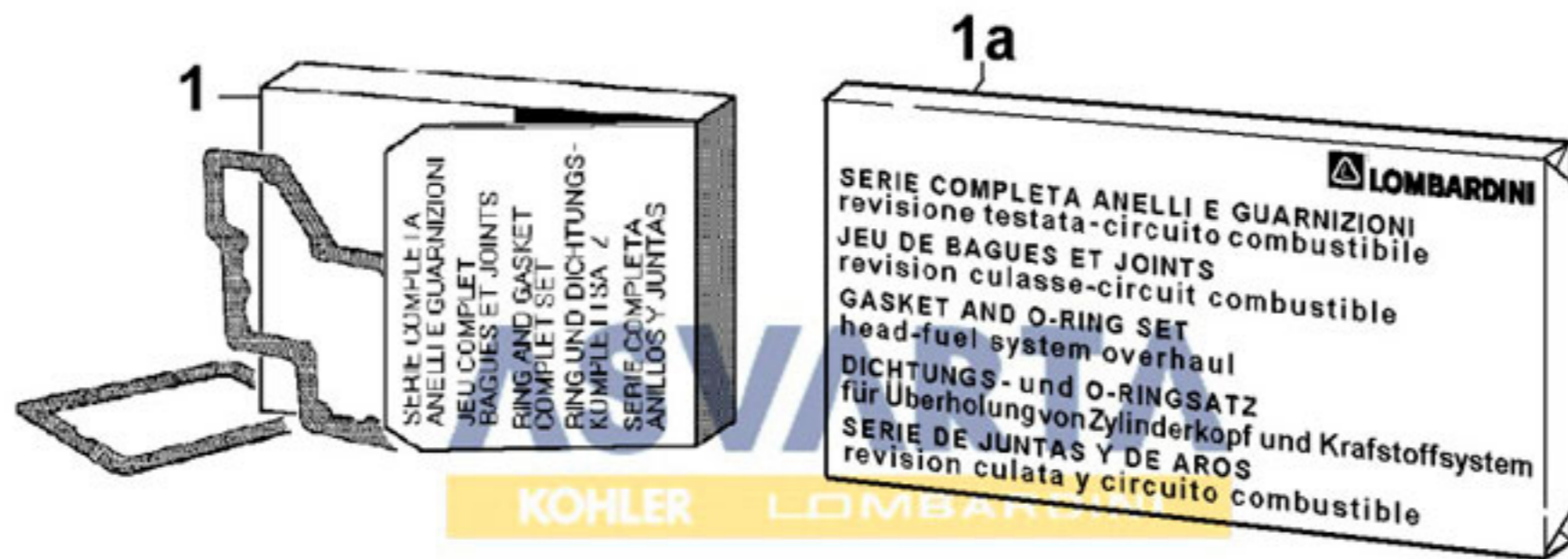


L FOCS
SUPERFOCS

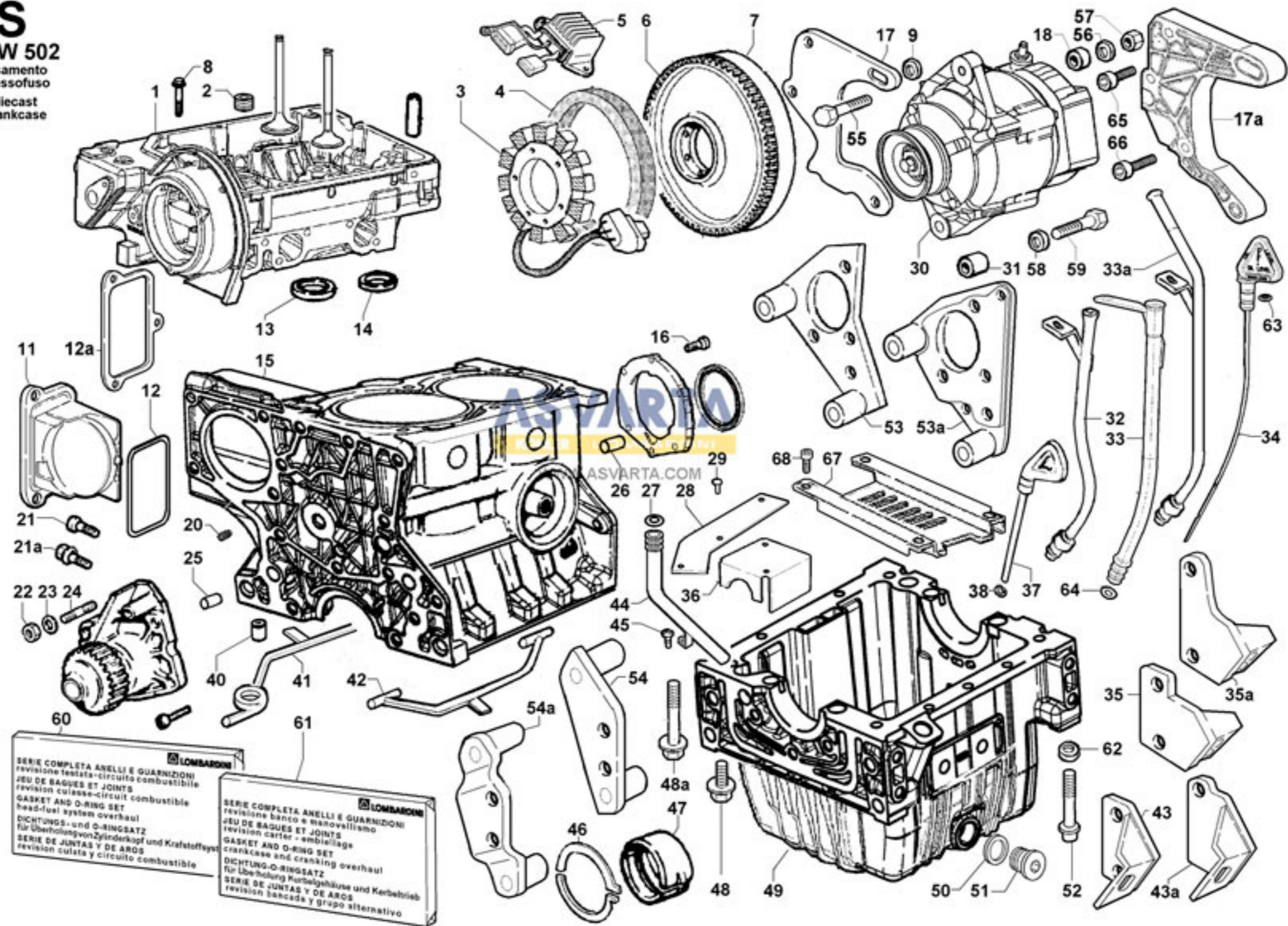


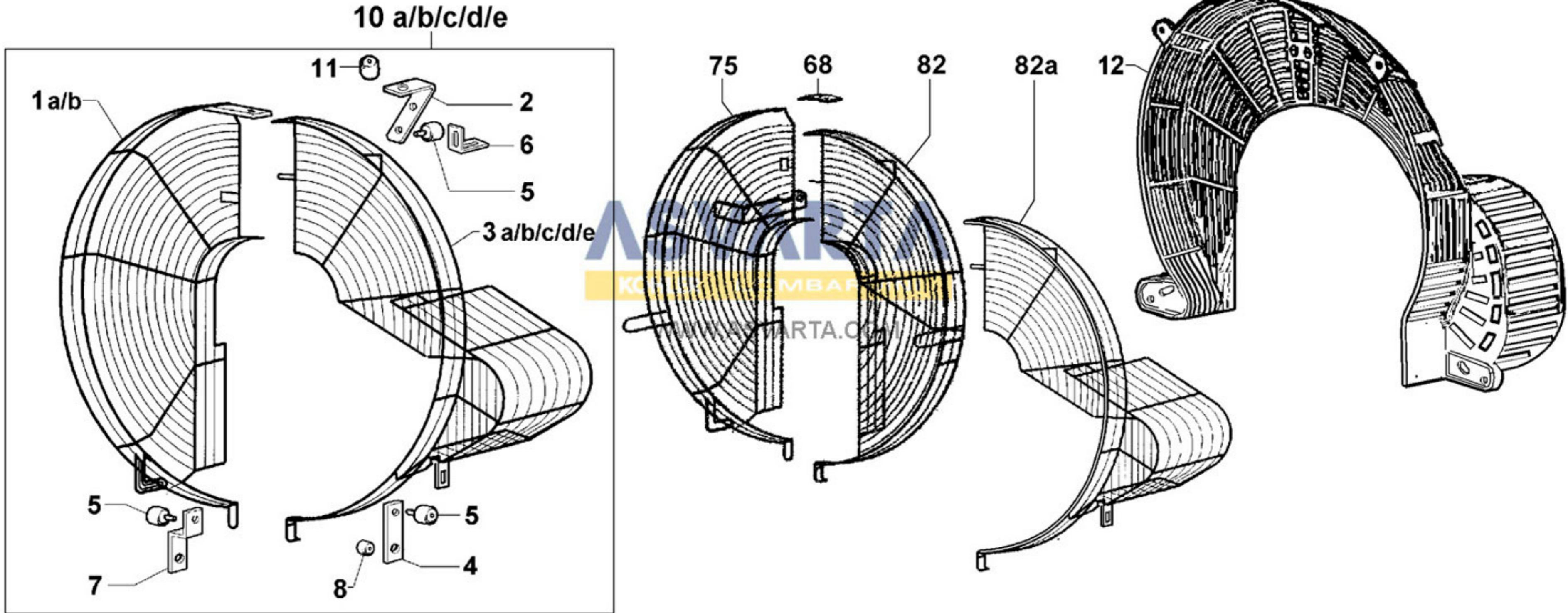
M FOCS
SUPERFOCS





S
LDW 502
 basamento
 pressofuso
 diecast
 crankcase





Z FOCs SUPERFOCS

